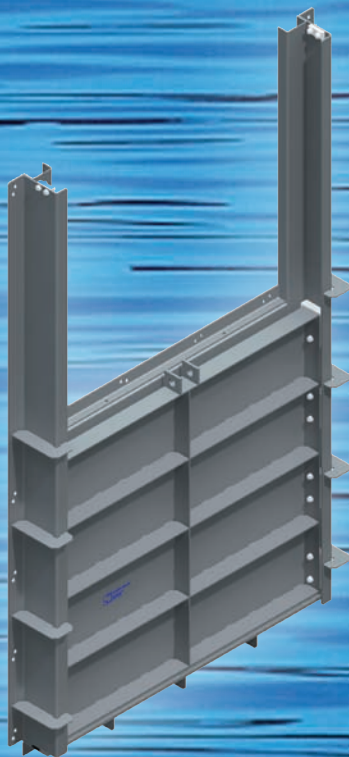




# penstocks.de

Planning and realising  
of penstocks



**Dipl.-Ing. Karl-Otto-Trawniczek**

Richard-Wagner-Strasse 29 · D-89518 Heidenheim/Brenz

Phone +49 7321 27996-20 · Fax +49 7321 27996-25

info@penstocks.de · www.penstocks.de.



Being an internationally active company with headquarters in Southern Germany we supply many satisfied customers with our products and services around the globe. Due to our employees' long-term experience in construction and realization of Penstocks, weirs, flaps, or valves of any kind we are in the position to provide you with the right solution for nearly every installation situation or problem in your facilities.

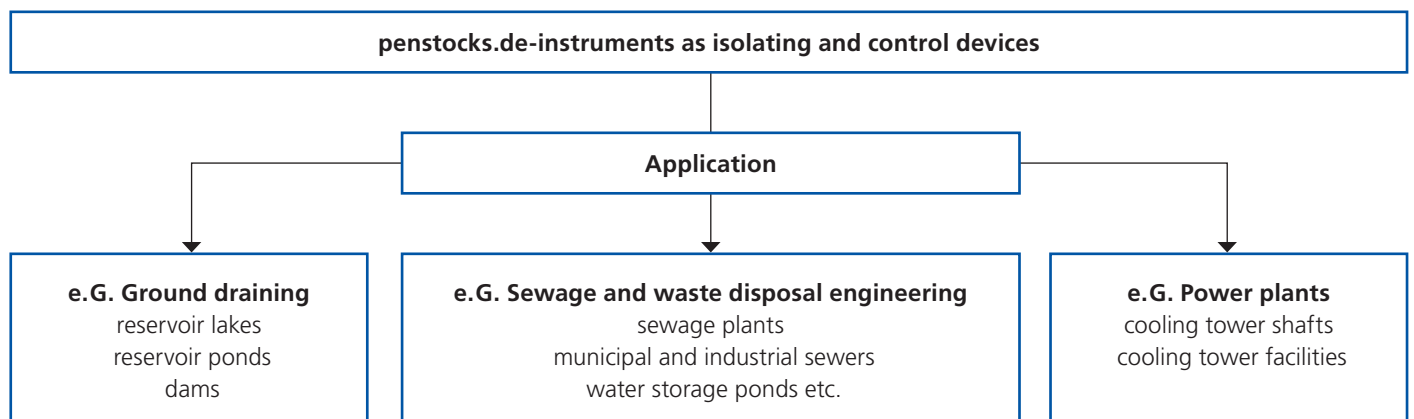
Supervising of the penstocks installation is also apart of our service.

To continually guarantee interference free processes of the installations made by the penstocks.de company we particularly pay attention to a robust, working design of our products according to German standard DIN 19569-4, BSI/BS 7775 and ANSI/AWWA C 513.

Penstocks are field-approved for isolating and controlling of open channels, pits, reservoirs and pipelines. penstocks.de-instruments are used for flow control, for keeping the sewage level, for flow throttling, for distribution of channel flow and for preventing reflux of the medium.

By means of a specifically selected variety of types and by using different materials, a large choice of penstocks.de – Penstocks is available for virtually any sewage engineering requirement. They can be delivered in sizes from DN 150 to ca. DN 3000 even in rectangular shape. The material range includes zinc-coated steel, stainless steel 304 (1.4301), 316 (1.4571) and Super Duplex (1.4462). Special requests are welcome.

## Applications



## penstocks.de-Performance

Welded design based on modular concept.  
For on-seating and off-seating pressures.

Standardized sealing profiles guarantee permanent tightness, low abrasion and ease of exchangeability.  
Low operating forces required.

3- and 4-facing isolating Penstocks available.  
Also in reinforced design.

Specific choice of materials:  
– Hot-dip zinc coated steel.  
– Stainless steel 304 (1.4301), 316 (1.4571) and Super Duplex (1.4462)

Many types of operators and means of fastening.

## Your advantages

Low cost, any dimensions available.  
Installation at discretion.

Reliability.  
Long life.  
High performance.  
Little maintenance.  
Seating in both directions.

Application for increased gauge working pressures up to 1 bar. For higher gauge pressures at request.

Applicable for any flow and environs medium.

Existing plants can be re-equipped with penstocks.de-quality-Penstocks without modification of the buildings.



## Penstocks



Handstop  
penstocks.de stsg



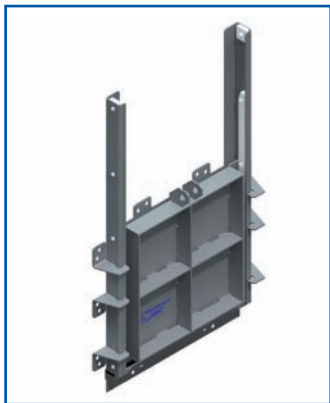
Channel Penstock Edition  
penstocks.de rig



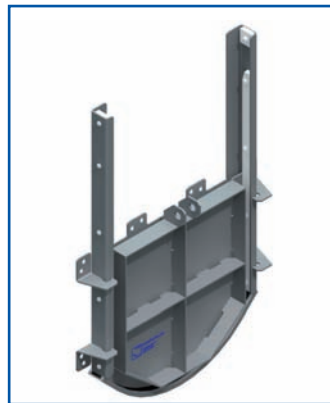
Channel Weir Penstock  
Edition  
penstocks.de ari



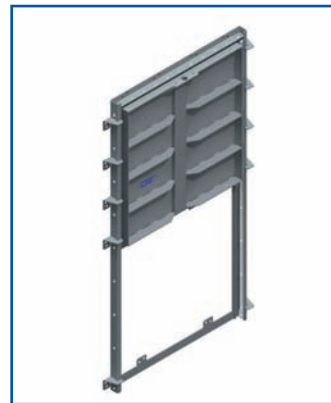
Channel Penstock with  
slide rails  
penstocks.de rig



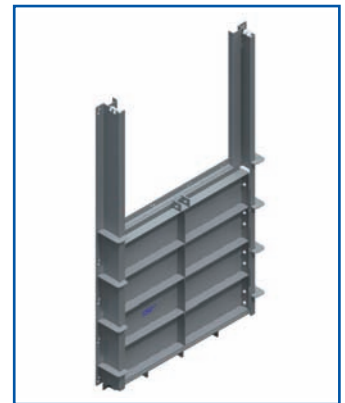
Slide Penstock Edition  
penstocks.de aspg



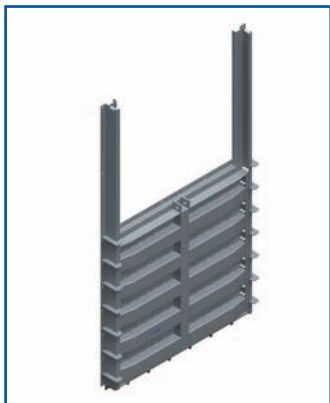
Slide Penstock Edition,  
round still  
penstocks.de aspg



Weir Penstock Edition  
penstocks.de abs



Slide Penstock with slide rails  
penstocks.de aspla



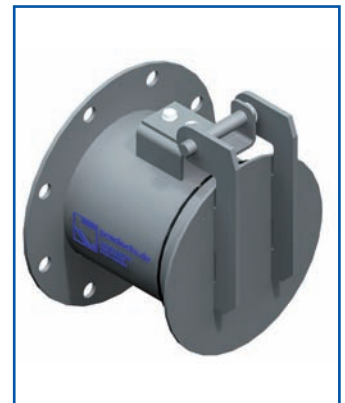
Slide Penstock with slide rails  
> 2000 x 2000  
penstocks.de aspla



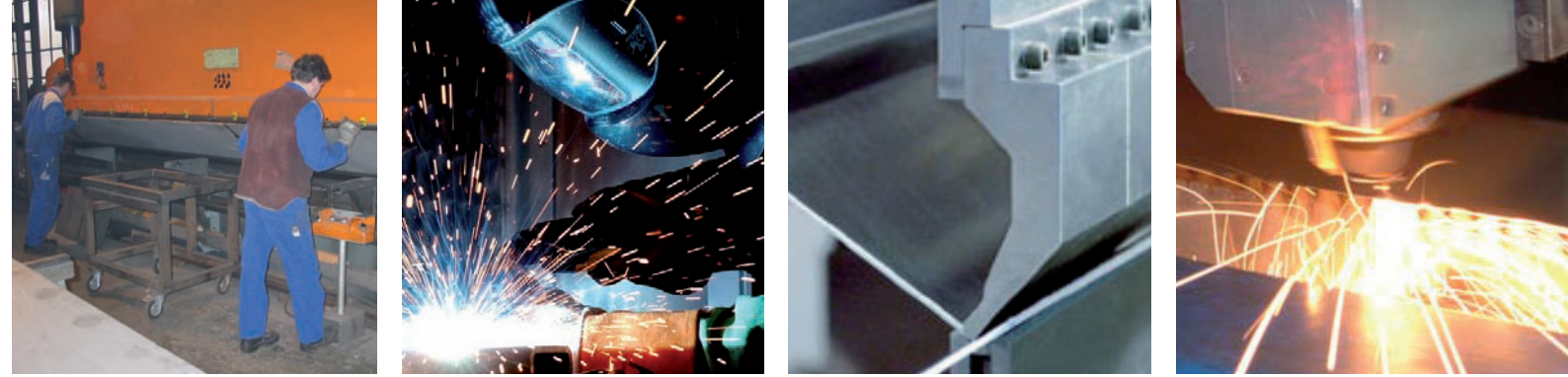
Tilting-flap Spillway  
penstocks.de klst



Stop Log  
penstocks.de daba



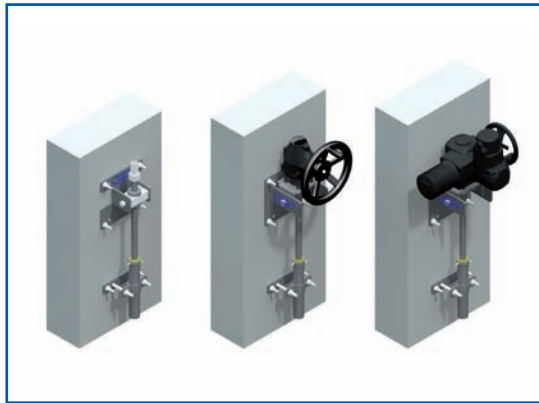
Flap Valve  
penstocks.de klrür



## Actuators



Ceiling-mounted operator



Wall bracket



Protruding headstock



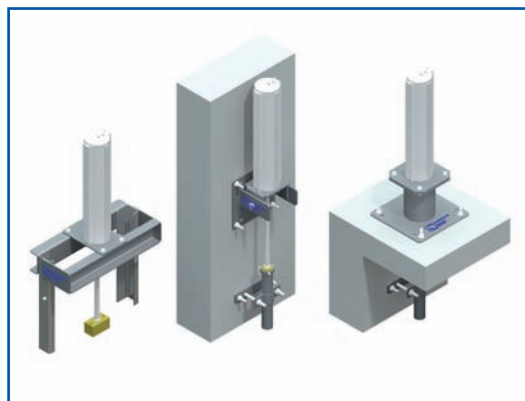
Central headstock



Bridge



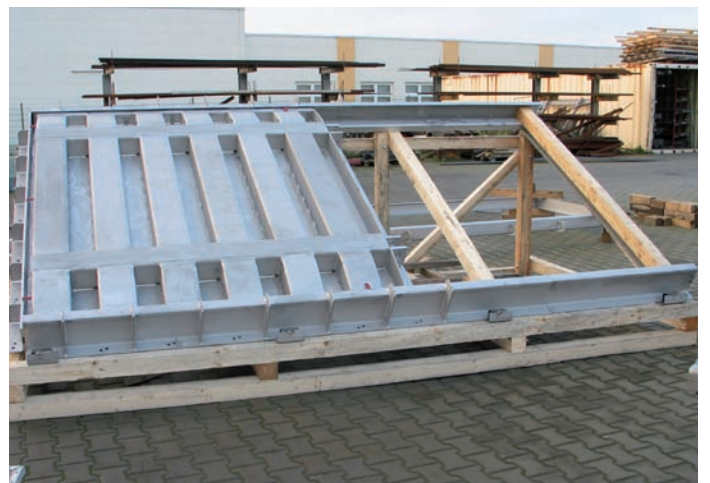
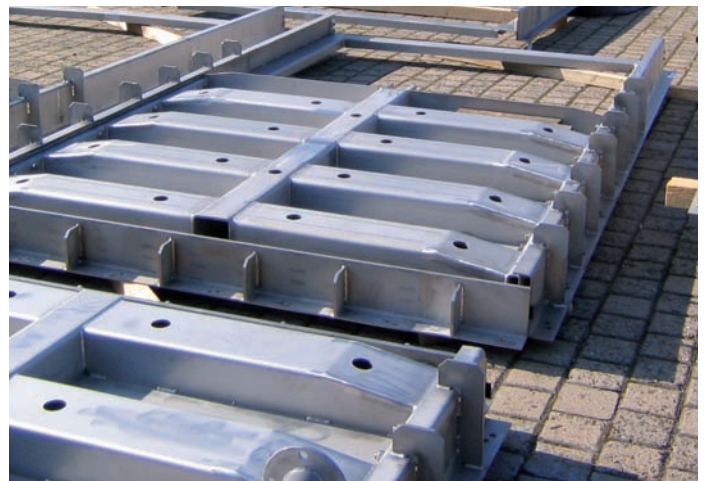
Bridge, 2-spindle



Cylinder



Lifting device



Global Certification Network  
**CERTIFICATE**  
ISO 9001:2008



Global Certification Network Association  
hereby certifies that the company

**penstocks.de**

**Business field:**  
Design, production and distribution of penstocks

**Location:**  
Richard-Wagner-Strasse 29 · D-89518 Heidenheim

has successfully implemented the above mentioned quality management system according to the standard (1) ISO 9001 and applies it effectively. The conformity was inspected during the certification audit documented in audit report no. A0059 2008. This certificate is only valid in connection with the successful performance of the surveillance audits.

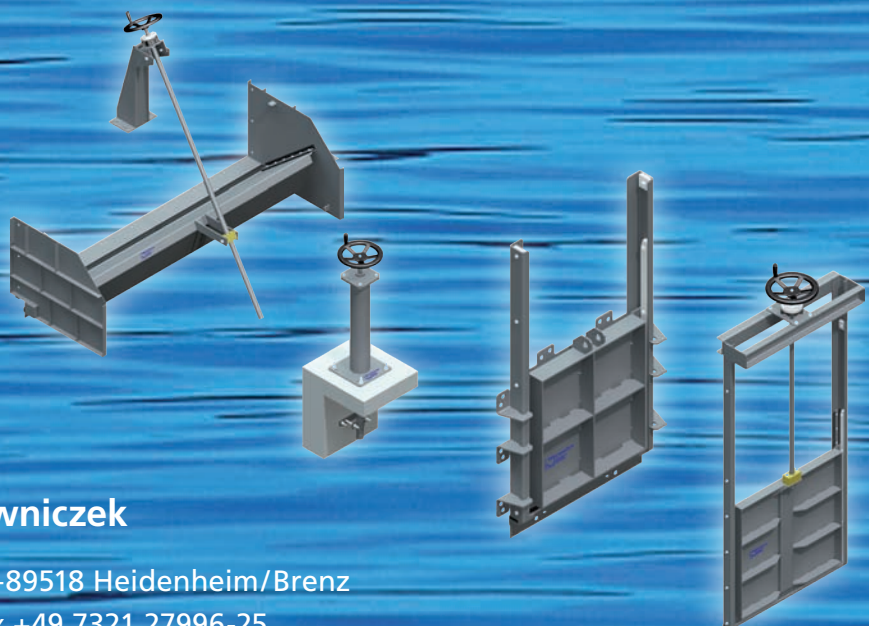
The certificate is valid from:	14.10.2009	Date of the first certification:	09.05.2009
This certificate is valid until:	29.07.2012	Certificate registration no.:	014905CM332
Last audit day:	02.10.09		



This certification is subject to the latest version of ISO 9001:2008. The relevant standards are indicated by a current ISO 9001:2008 registration with the Global Certification Network. The certificate remains the sole property of the issuing organization, and must be returned upon request.

Our experienced advisory team is happy to supply any kind of technical information concerning the product range and the services of the penstocks.de company.

We would also be pleased to prepare a non – binding quote for you or to support you in the planning of your facilities.



**Dipl.-Ing. Karl-Otto-Trawniczek**

Richard-Wagner-Strasse 29 · D-89518 Heidenheim/Brenz

Phone +49 7321 27996-20 · Fax +49 7321 27996-25

info@penstocks.de · www.penstocks.de.