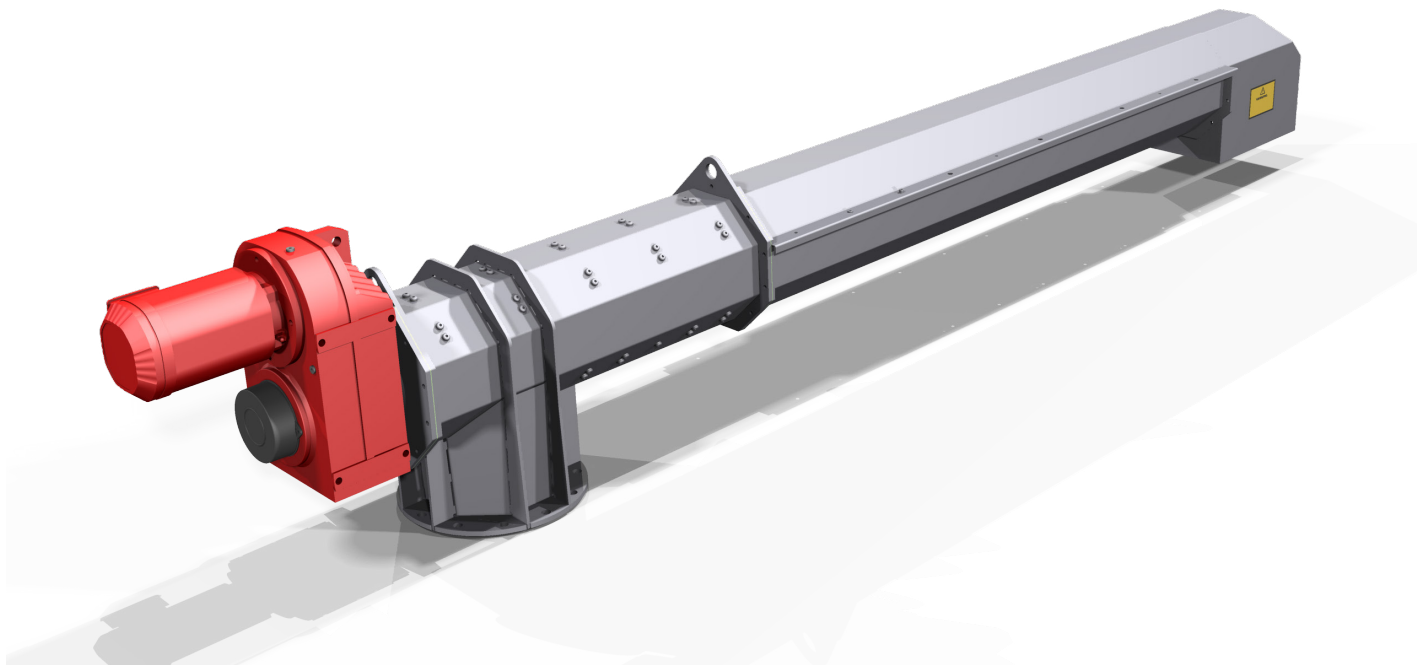


CPS - X

Pushing Counter Pressure Screw in Stainless Steel



Main areas of use and features

- Superior dewatering
- Shredded screenings
- SWP + CPS achieves DS contents of 50-60%
- Long conveyor section possible
- Insensitive to capacity peaks
- High finish guarantees a long life time

CPS-X PUSHING COUNTER PRESSURE SCREW

Area of use

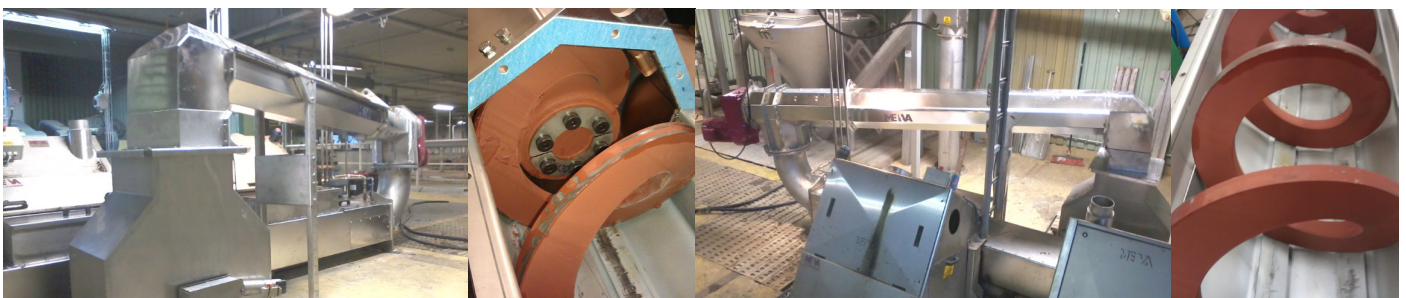
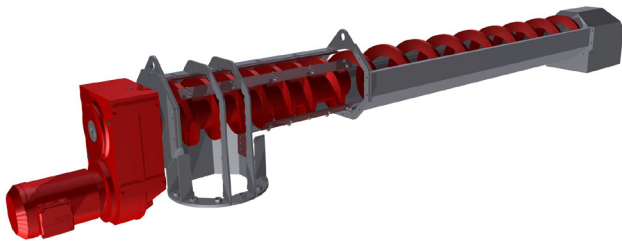
The combination of Meva Screw Wash Press and Meva Pushing Counter Pressure Screw results in a product optimal for incineration. The result is a product with DS content of 50-60%, shredded screenings and a superior washing effect. It gives 50% less screenings compared to a wash press with a traditional pipe system.

Function

Meva CPS-X is connected to the SWP by a pipe bend. The CPS-X creates a counter pressure during the working cycle of the SWP, which is continuously adjusted and maintained to maximize the results of the SWP regardless of the circumstances.

The pressure increases as the SWP pushes screenings toward the outlet, which is blocked by the CPS-X, until the current consumption of the SWP reaches its preset value. The SWP stops and the CPS-X starts, cutting off and transporting a part of the screenings to the discharge. In this way, the pressure is continuously adjusted and maintained resulting in a maximum DS content.

The high counter pressure also ensures a long retention time in the press zone, which provides a superior washing effect. At the inlet of the CPS-X the material is shredded, making it optimal for incineration. The CPS-X works as a pushing conveyor enabling long conveying distances. The pushing drive of the CPS-X allows it to maintain high results while being insensitive to volume peaks.



Why intensive washing and pressing?

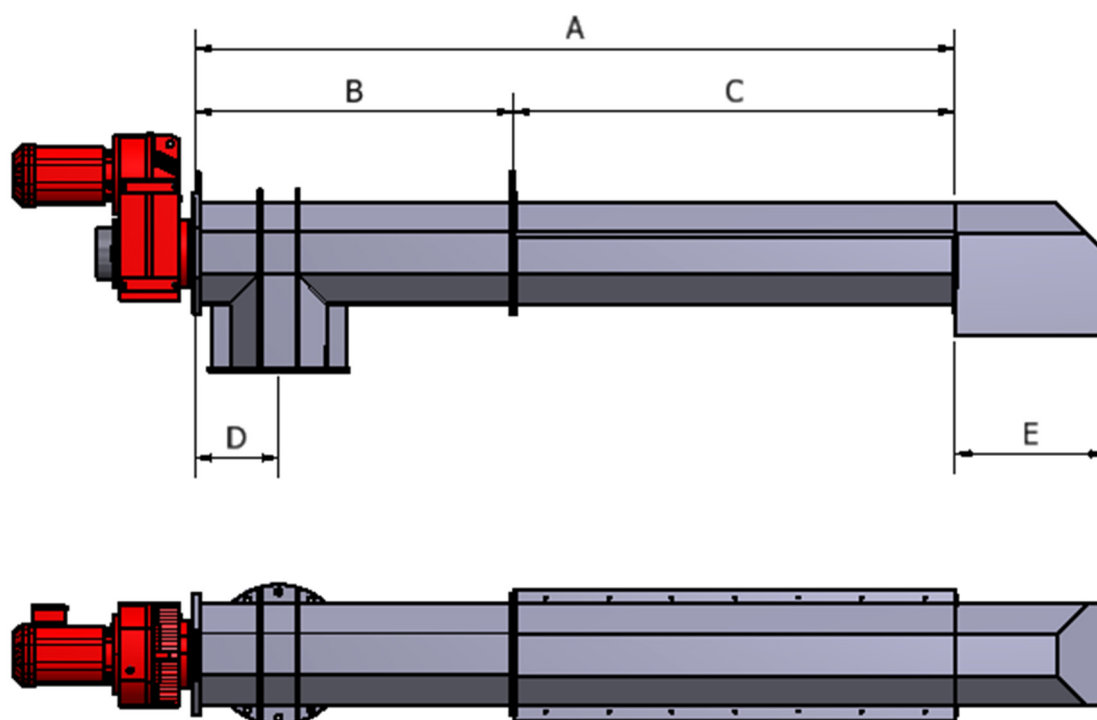
In many countries depositing screenings with high organic content is prohibited or connected with high costs. This will lead to demands of high DS content and screenings with high cleanliness. With Meva CPS-X the reduction of organics and water in the screenings is significant compared to traditional pipe systems, which leads to decreased disposal costs.

Meva Pushing Counter Pressure Screw CPS-X

- Superior dewatering
- Shredded screenings
- SWP + CPS-X achieves DS contents of 50-60 %
- Long conveyor section possible
- Insensitive to capacity peaks
- High finish guarantees a long life time



Technical Specification



	CPS-X 20	CPS-X 25	CPS-X 30	CPS-X 40
Connecting flange	DN 150/200	DN 250	DN 300	DN 400
Type model (A)	Up to 10m	Up to 10m	Up to 10m	Up to 10m
(B)	700	900	1000	1200
(C)	= A-B	= A-B	= A-B	= A-B
(D)	233	300	262	430
(E)	288	388	478	618

Measurements in millimeter.

