

ROTOSCREEN DS

Fine Screen in Stainless Steel



Main areas of use and features

- Fine screen with slot width 1-6 mm
- Unique chainless drive mechanism
- Insensitive to high or low water levels
- High capacity and high separation degree
- Pivots out of channel for easy maintenance
- Fully capsulated
- High finish guarantees a long life time

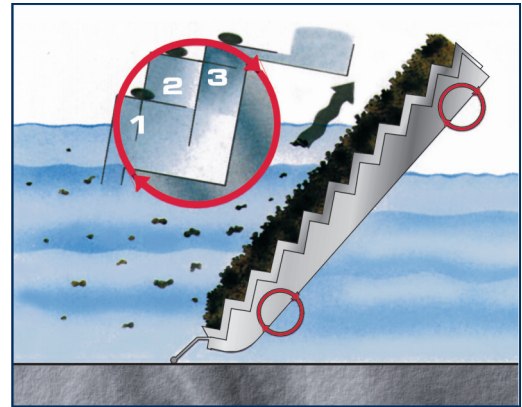
ROTOSCREEN DS

Area of use

Meva Rotoscreen is a self cleaning fine screen for separation of solids from water. The screen has a very low flow resistance which results in a low head loss and the highest relative capacity of any screen type on the market. This is an advantage at channels with gravity flow.

Meva Rotoscreen DS is suitable for installations in incoming channels to municipal waste water treatment plants and process industries where a separation within 1-6 mm is required.

Since the mid-eighties there has been a continuous development to meet the future requirements for functional screens. The Rotoscreen DS is the latest version of Meva fine screens, a product of long experience, that has proven its performance for decades in Sweden and in the rest of the world.



Function

Meva Rotoscreen DS has an exact slot width during operation. This is ensured by a robust bar fixing and intermediate spacers. The screen has an automatic anti blockage protection at the channel bottom which makes the screen more resistant to sand. As an option Rotoscreen DS can be delivered with Duplex steel bars, which are the toughest on the market.

Meva Rotoscreen DS can be pivoted during service and it is the most easily accessible screen on the market, making it easy to clean without removing connected equipment. The unique drive mechanism reduces the need for maintenance.

Above advantages together with a high hydraulic capacity and a very robust design and high finish makes Meva Rotoscreen DS the most modern fine screen on the market.

Meva Rotoscreen DS can be manufactured in different models to fulfill required discharge height and capacity. All models are available in different widths to fit into channels of various sizes. The screens are fully enclosed and equipped with a ventilation connection.





Automatic Control

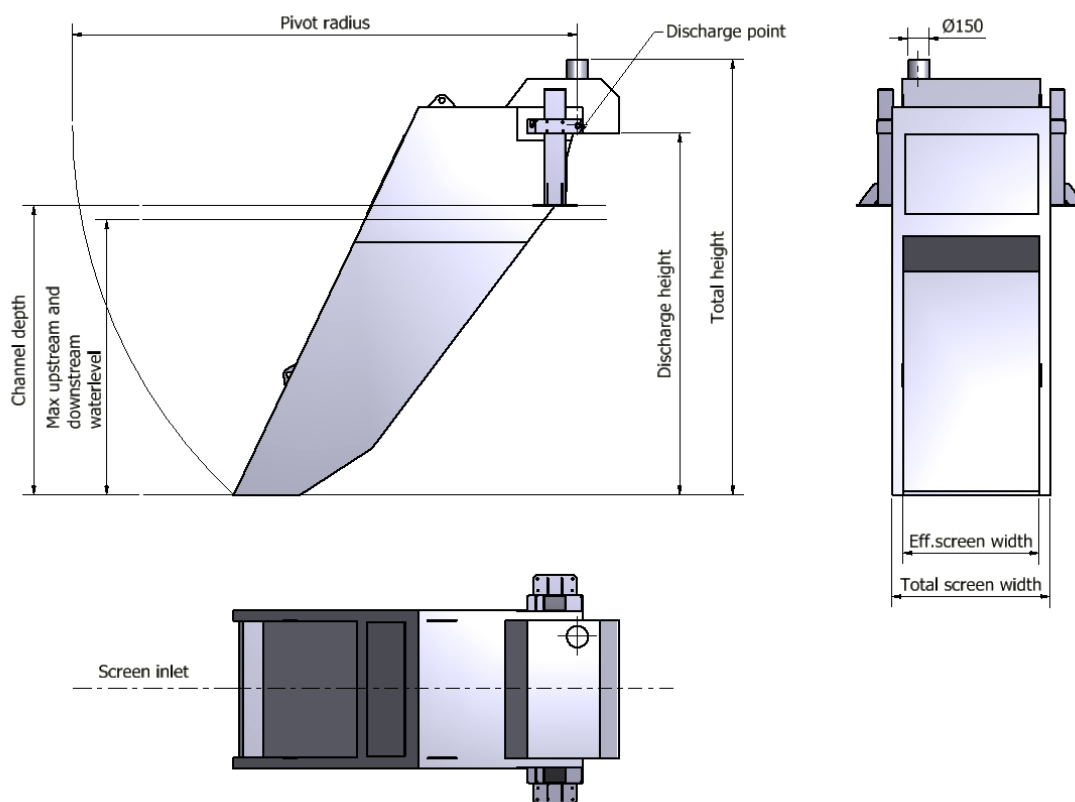
Meva Rotoscreen DS works intermittently, allowing the operation to be adjusted to the incoming flow. A level sensor is installed in the channel in front of the screen. The screen starts when a pre-set water level is reached and operates until the water level is below the pre-set value. The cycle is repeated when the level is reached again.

Meva Rotoscreen DS:

- Fine screen with slot width 1-6 mm
- Unique chainless drive mechanism
- Insensitive to high or low water levels
- High capacity and high separation degree
- Pivots out of channel for easy maintenance
- Fully encapsulated
- High finish guarantees a long life time



Technical Specification



	DS 9	DS 13	DS 17	DS 21	DS25	DS 28	DS 32	DS 37	DS 43	DS47
Max discharge height	900	1320	1740	2070	2500	2830	3250	3670	4340	4750
Max upstream water level	575	975	1400	1470	1900	2150	2600	3020	3300	3700
Max downstream level	575	975	1400	1470	1900	2150	2600	3020	3300	3700

Measurements in millimeter.

